

ELLIS

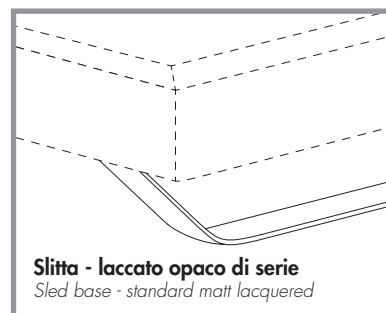
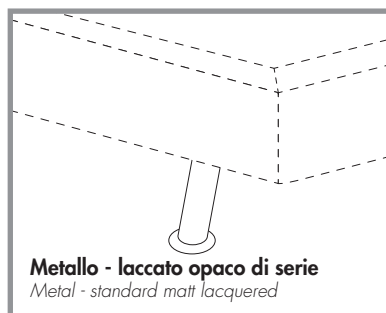
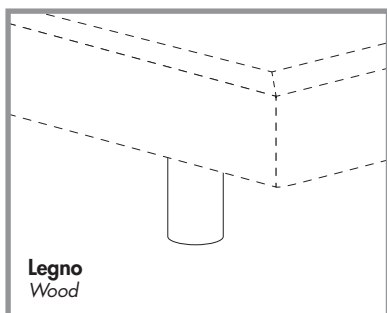


Ring "A" Azimut • Bed surround "A" Azimut



Ring "B" Comfort • Bed surround "B" Comfort

Piedi per ring "A" Azimut - "B" Comfort • Feet for bed surround "A" Azimut - "B" Comfort



Ring "C" Maxim • Bed surround "C" Maxim

Finiture letto • Bed finishings

Nobilitati • foil-wrapped:

- CA Canapa - Hemp
- BF Frassino Bianco - White ash
- CF Frassino Canapa - Hemp ash
- OC Olmo chiaro - Light elm
- OS Olmo scuro - Dark elm
- OG Olmo Cenere - Gray elm

Laccati opachi • Matt lacquered:

- FO Frassino laccato opaco - Matt lacquered ash

Scheda prodotto • General characteristics

Testiera: realizzata in particelle di legno E1 nobilitato tamburato unito in folding spessore 40 mm rivestito con finitura melaminica.

Ring "A" e Ring "B": pannello in particelle di legno E1 nobilitato spessore 40 mm rivestito in finitura melaminica.

Gambe Ring "A" e Ring "B": Tonde sezione diametro 60 mm in legno finitura Ring, metallo diametro 35 mm laccato opaco o slitta laccata opaca.

Ring "C": pannello in particelle di legno E1 nobilitato spessore 40 mm rivestito in finitura melaminica.

Gambe Ring "C": legno tinta finitura Ring.

Headboard: 40 mm thick foil-wrapped folded honeycomb chipboard faced with melamine finish.

Bed sommier "A" and "B": 40 mm thick foil-wrapped folded edged E1 chipboard panel E1 faced with melamine finish.

Feet Bed sommier "A" and "B": round shaped feet diameter 60 mm in wood finished as bed surround, metal diameter 35 mm matt lacquered or slide frame matt lacquered

Bed sommier "C": 40 mm thick foil-wrapped folded edged E1 chipboard panel E1 faced with melamine finish.

Feet Bed sommier "C": wood finished as bed surround.