

# VICTOR

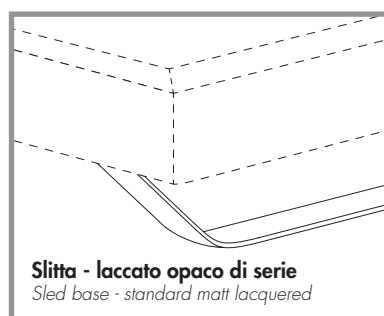
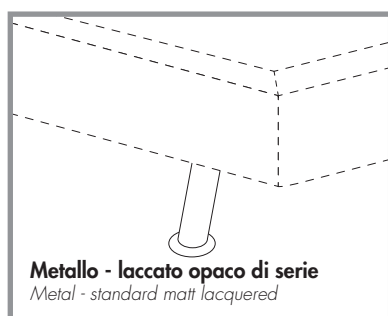
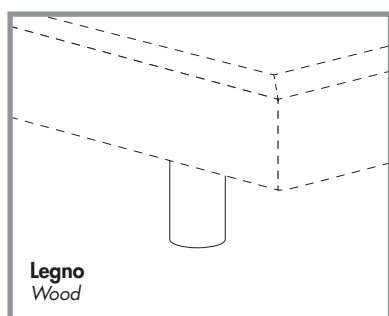


**Ring "A" Azimut • Bed surround "A" Azimut**



**Ring "B" Comfort • Bed surround "B" Comfort**

## Piedi per ring "A" Azimut - "B" Comfort • Feet for bed surround "A" Azimut - "B" Comfort



**Ring "C" Maxim • Bed surround "C" Maxim**

## Finiture letto • Bed finishings

### Nobilitati • foil-wrapped:

CA Canapa - Hemp

BF Frassino Bianco - White ash

CF Frassino Canapa - Hemp ash

OC Olmo chiaro - Light elm

OS Olmo scuro - Dark elm

OG Olmo Cenere - Gray elm

### Laccati opachi • Matt lacquered:

FO Frassino laccato opaco - Matt lacquered ash

## Scheda prodotto • General characteristics

**Testiera:** realizzata in particelle di legno E1 spessore 24 mm piegata in Folding e rivestita con finitura melaminica e/o laccato opaco su finitura frassino.

**Ring "A" e Ring "B":** pannello in particelle di legno E1 nobilitato spessore 40 mm rivestito in finitura melaminica e/o laccato opaco su finitura frassino.

**Gambe Ring "A" e Ring "B":** Tonde sezione diametro 60 mm in legno finitura Ring, metallo diametro 35 mm laccato opaco o slitta laccata opaca.

**Ring "C":** pannello in particelle di legno E1 nobilitato spessore 40 mm rivestito in finitura melaminica e/o laccato opaco su finitura frassino.

**Gambe Ring "C":** legno tinta finitura Ring.

**Headboard:** 24 mm thick foil-wrapped folded edged E1 chipboard panel E1 faced with melamine finish and/or matt lacquered on ash finish.

**Bed sommier "A" and "B":** 40 mm thick foil-wrapped folded edged E1 chipboard panel E1 faced with melamine finish and/or matt lacquered on ash finish.

**Feet Bed sommier "A" and "B":** round shaped feet diameter 60 mm in wood finished as bed surround, metal diameter 35 mm matt lacquered or slide frame matt lacquered

**Bed sommier "C":** 40 mm thick foil-wrapped folded edged E1 chipboard panel E1 faced with melamine finish and/or matt lacquered on ash finish.

**Feet Bed sommier "C":** wood finished as bed surround.